

EXTECH

USER MANUAL

ExStik® Model RE300

Waterproof ORP Meter



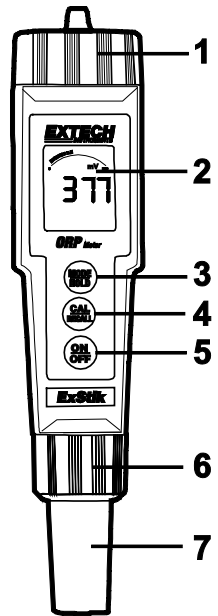
Additional User Manual Translations available at www.extech.com

ExStik Description

Front Panel Controls

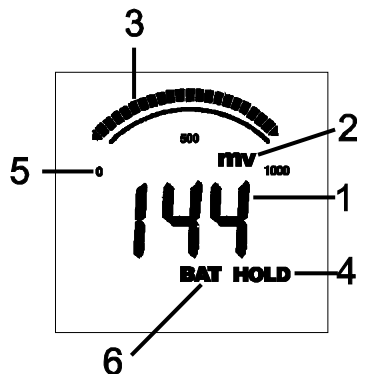
1. Battery compartment cap
2. LCD
3. MODE button
4. CAL button (unused on RE300)
5. ON/OFF button
6. Electrode collar
7. Electrode

(Electrode cap is not shown)



Display Description

1. Reading
2. Units
3. Bar graph
4. Data Hold
5. Bar graph Scale
6. Low Battery



Operation

Getting Started

Battery Activation: An insulating tab is in the battery compartment which prevents battery drain during storage. It must be removed before use.

White KCL crystals may be present on the electrode, which will dissolve in a distilled water soak or when rinsed with tap water. Wipe with a clean, dry towel after rinsing. Do NOT wipe the end of the RE300 electrode, however, as it may damage the sensor.

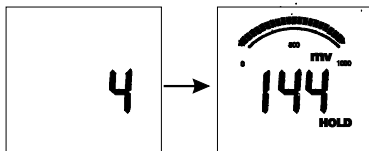
When the RE300 is switched ON, it enters the Automatic Calibration mode. **SELF** and **CAL** will appear during calibration. After calibration, **SELF** and **CAL** will switch off, and both the main display and bar graph will show ORP in mV units. The bar graph will read 0mV (far left), 500mV (center), and 1000mV (far right).

ORP Testing

1. Remove the cap from the electrode and soak the electrode in distilled or tap water for 10 minutes.
2. Press the ON/OFF button to switch ON the RE300.
3. Dip the electrode 1 in. (2.54 cm), maximum, into the test solution. Stir once and let the reading stabilize for 1 to 3 minutes.
4. Note the ORP reading or press MODE to freeze the reading, the **HOLD** icon will appear along with the held reading. The held reading will be stored in the next available 15-reading storage location (see below). Press MODE to return to normal operation.
5. Press the ON/OFF button to switch OFF the RE300.
6. APO switches OFF the meter after 10 minutes of inactivity.

15-Reading Measurement Storage

1. Press the MODE button to store a reading. The memory location number will appear briefly, and then the stored reading will display (Data Hold will activate).
2. Press MODE again to return to normal operation. Repeat step 1 to store additional readings.
3. After 15 readings, existing readings will be overwritten (starting with the first reading).



Recalling Stored Readings

Note: Ensure that the **HOLD** symbol is not displayed. If it is, press the MODE button to exit the HOLD mode.

1. Press the CAL button once and then press the MODE button immediately after CAL is displayed; the location number (1 through 15) will flash. If the CAL mode is accidentally accessed (display flashing), press the CAL button again to exit.
2. The last stored reading will be displayed first. To advance through the stored readings, press the MODE button. The location number is displayed first, followed by the reading.
3. To exit the storage mode, press the CAL button.

Measurement and Display Considerations

- If the unit appears locked (display frozen), the Data Hold mode may have been inadvertently accessed. Simply press the MODE button again or turn the meter off and restart.
- If the meter remains locked, remove and replace the batteries and restart.
- Note that if the batteries are removed, stored readings will be discarded.

Replacing the Electrode

To preserve electrode life, keep the sponge in the protective cap soaked with distilled or tap water when not in use (store electrode vertically). **DO NOT USE DE-IONIZED WATER.**

1. To remove an electrode, unscrew and completely remove the electrode collar (turn the collar counterclockwise to remove).
2. Gently rock the electrode from side to side, pulling it downwards, until it disconnects from the meter.
3. To attach an electrode, carefully plug the electrode into the meter socket (note that the electrode connector is keyed, ensuring proper connection).
4. Tighten the electrode collar firmly enough to make a good seal (a rubber gasket seals the electrode with the meter).

Powering the Meter

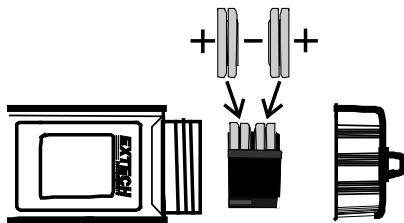
The meter uses four (4) CR2032 batteries (included). If the batteries are weak, the **BAT** indicator appears. Press the ON/OFF button to switch ON or OFF. APO switches OFF the meter automatically after 10 minutes of inactivity.

Accuracy Self-Test

1. Remove the cap from the electrode and press the ON/OFF button to switch ON the RE300.
2. Dip the electrode 1 in. (2.54 cm) maximum into the ORP standard solution. Stir once and let the reading stabilize for 1 to 3 minutes.
3. The measurement should be within $\pm 4\text{mV}$ of the ORP standard.

Battery Replacement

1. Remove the battery cap by turning it counterclockwise while applying downward pressure.
2. Replace the four (4) 2032 batteries observing polarity.
3. Secure the battery compartment cap before use.

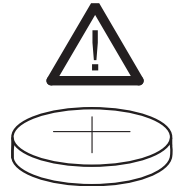


Battery Safety

- Remove and immediately recycle or dispose of used batteries according to local regulations, keeping the batteries away from children. Do NOT dispose of batteries in household trash or incinerate.
- Even used batteries can cause severe injury or death.
- Call a local poison control center for treatment information.
- This unit contains four (4) CR2032, 3.0 V, lithium batteries.
- Non-rechargeable batteries are not to be recharged.
- Do not force discharge, recharge, disassemble, heat above 122°F (50°C), or incinerate. Doing so may result in injury due to venting, leakage, or explosion resulting in chemical burns.
- Ensure that the batteries are installed correctly according to correct polarity (+ and -).
- Do not mix old and new batteries, different brands or types of batteries, such as Alkaline, carbon-zinc, or rechargeable batteries.
- Always completely secure the battery compartment. If the battery compartment does not close securely, stop using the product, remove the batteries, keeping the batteries away from children.
- Remove and immediately recycle or dispose of batteries from equipment not used for an extended period of time, according to local regulations.

WARNING

- **INGESTION HAZARD** : This product contains a button cell or coin battery.
- **DEATH** or serious injury can occur if ingested.
- A swallowed button cell or coin battery can cause **Internal Chemical Burns in as little as 2 hours.**
- **KEEP** new and used batteries **OUT OF REACH of CHILDREN.**
- **Seek immediate medical attention** if a battery is suspected to be swallowed or inserted inside any part of the body.



Specifications

Display	Multifunction LCD with bar graph
Operating conditions	32 to 122°F (0 to 50°C) / < 80% RH
Range / Accuracy	± 999mV / ± 4mV
Electrode	Platinum with silver wire in KCL
Electrode Compensation	204.6mV
Measurement storage	15 tagged (numbered) readings
Power	Four (4) CR2032 button batteries
Low battery indication	'BAT' appears on the LCD
Auto power off	After 10 minutes of inactivity
Dimensions	1.4 x 6.8 x 1.6 in. (35,6 x 172,7 x 40,6 mm)
Weight	3.85 oz. (110 g)

Optional Accessories

Replacement ORP electrode (Part Number: RE305)

Two-year Warranty

Teledyne FLIR warrants this Extech brand instrument to be free of defects in parts and workmanship for two years from date of shipment. To view the full warranty text please visit: <https://www.flir.com/support-center/warranty/instruments/extech-product-warranty/>

Calibration and Repair Services

Teledyne FLIR offers **calibration and repair services** for the Extech brand products we sell. We offer NIST traceable calibration for most of our products.

Customer Support

Local Telephone Support List: <https://support.flir.com/contact>

Return Material Authorization (RMA): <https://customer.flir.com/Home>

Customer Service: <https://support.flir.com/ContactService>

Technical Support: <https://support.flir.com>

Copyright © 2026 Teledyne FLIR Commercial Systems, Inc.

All rights reserved including the right of reproduction in whole or in part in any form.

www.extech.com

This document does not contain export-controlled information.

